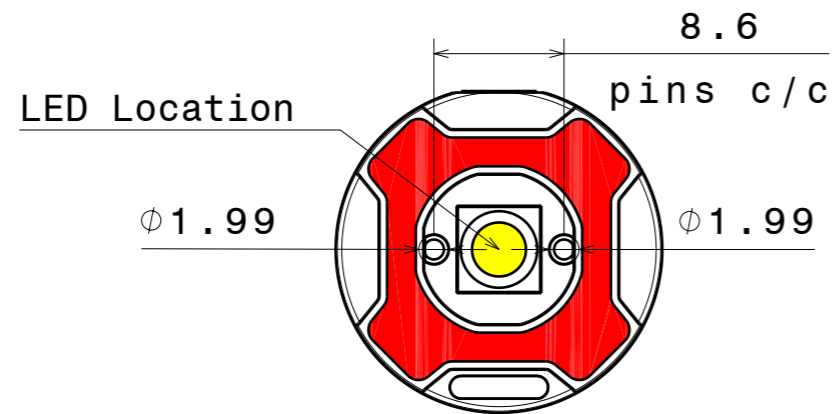
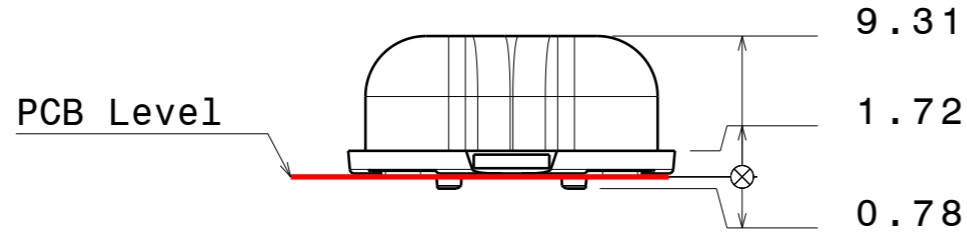
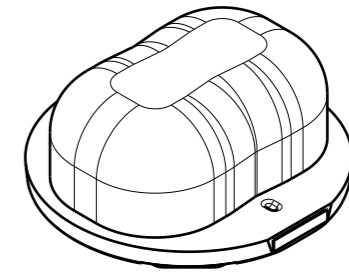
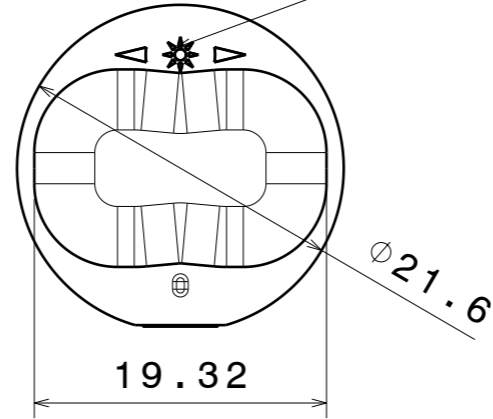


Beam direction indicator



CA17722_EMERALD-ER2

COMPONENTS

INDEX	PART	TYPE	MATERIAL	COLOR / COATING
1	C11269_HEIDI-TAPE	Tape	Acrylic foam	
2	C17719_EMERALD-ER2	Lens	PC	Clear

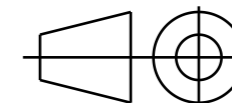
MECHANICAL DRAWING

PRODUCT
EMERALD

LEDiL®

Plastic moulding general tolerances according to DIN 16901-130 and applies if not otherwise shown in the drawing. Silicone moulding general tolerances according to ISO 3302-1 Class M3 and applies if not otherwise shown in the drawing.

FIRST ANGLE PROJECTION:



This drawing is the property of LEDiL Oy. It may not be copied or otherwise distributed without prior written permission from LEDiL Oy.

SCALE 2:1

WEIGHT -

A3 SHEET 1/1

Notes

- PCB or heatsink level.
- LED location
- Ensure LED fitting from a product specific 3D model available from www.ledil.com
- For more details about installation please see LEDiL Installation Guide on www.ledil.com